

IEEE 1914 NGFI

P1914.1 TF Opening Report

Chair: Bomin Li, Comcores ApS

Editor: Jouni Korhonen, Broadcom

October 26, 2016

San Jose, Denmark



Summary of intermediate telcos

□ Four intermediate telcos

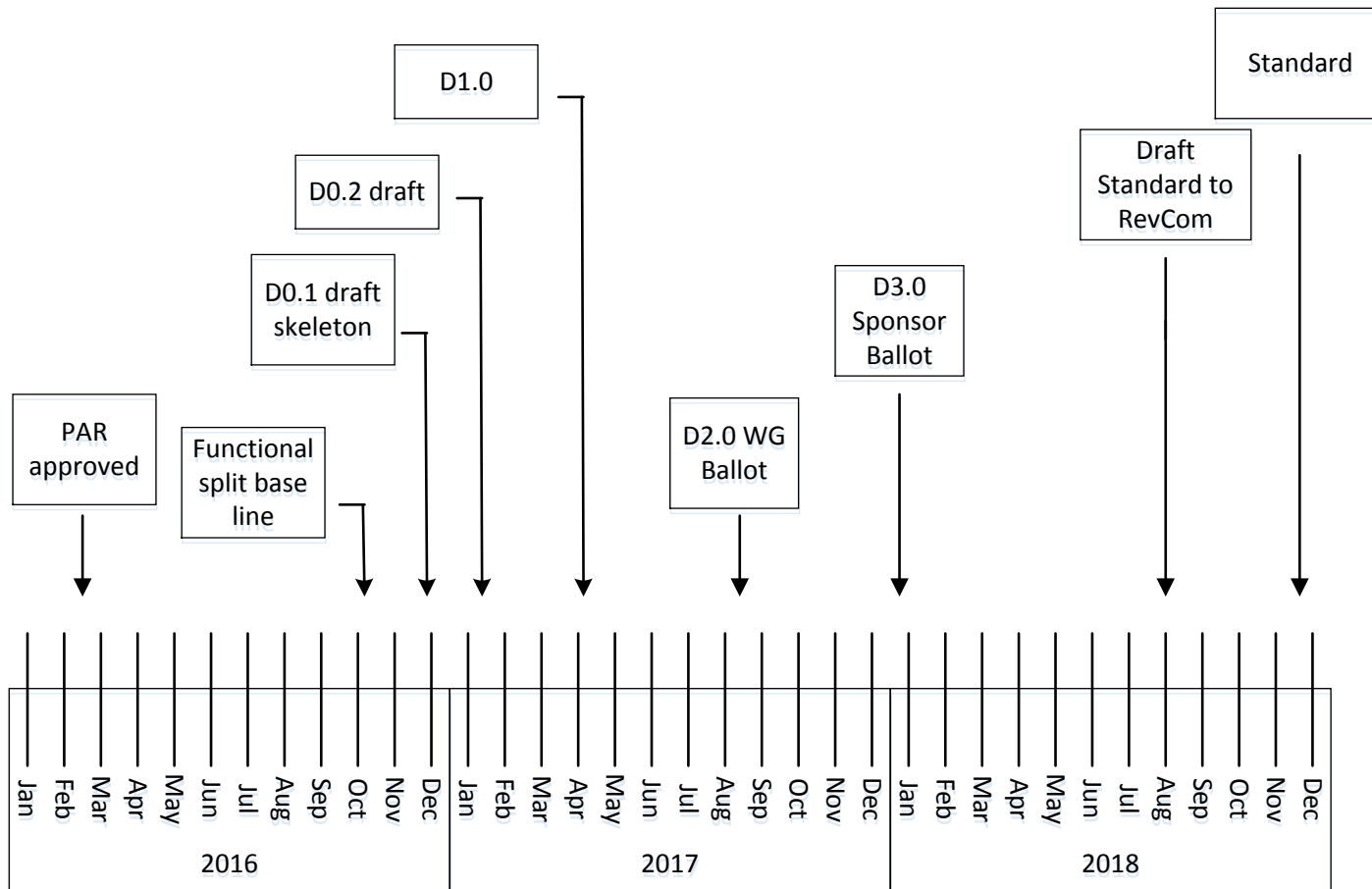
<http://sites.ieee.org/sagroups-1914/p1914-1/ieee-p1914-1-tf-teleconference-materials/>

- Review of P1914.1 timeline
- Review of LS from Small Cell Forum
- Review of 3GPP functional split analysis
- Wrap-up of ECOC and WWRF workshops
- Functional split discussion
- discussion on eCPRI
- Discussion on functional split analysis moving forward: specific/concrete splits vs split groups

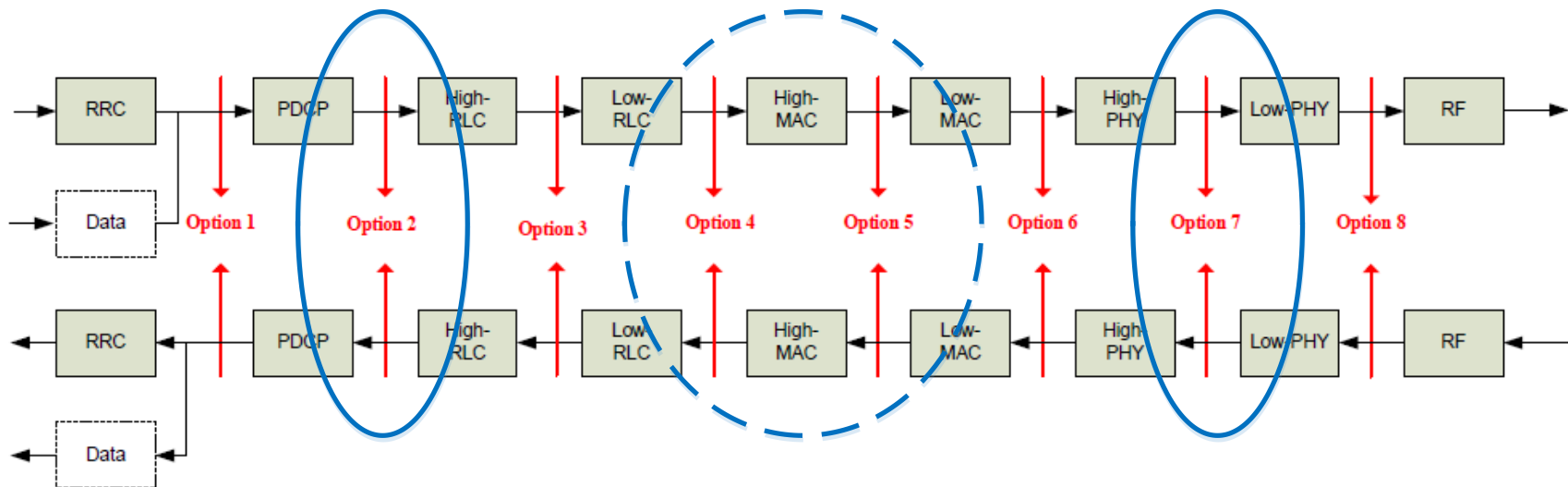
Review of AIs

- ❑ Review/study of reference architecture/consolidated user scenarios (Study of different functional splits from August meeting) – Jouni Korhonen - closed
- ❑ List requirements/technologies/other features - Bomin
- ❑ Skeleton/terminology of standard draft – Jouni Korhonen by October f2f meeting
- ❑ Distribute the 35 proposals as in tf1_160907_Huang_3GPP summary.pptx – Jinri Huang - closed
- ❑ Provide details/differences of split options 3-1 and 3-2 as in tf1_160907_Huang_3GPP summary.pptx – Jinri Huang - closed
- ❑ Draft presentation for ECOC 2016 workshop – Bomin Li by Sep. 14 – closed
- ❑ Distribute ECOC and WWRF workshop presentation slides – Bomin Li

Timeline



Summary of functional splits from August meeting



Thinking of functional split forward (Observation)

- Observation 1:
 - many SDOs have been or begun getting involved in the NGFI topic
 - 3GPP, ITU-T, SCF, IEEE 802.1, CPRI cooperation etc.
 - Feeling of urgency
- Observation 2:
 - Function split is key to NGFI and we have had very much discussion since last f2f meeting
 - We are discussing to target to reach a consensus within the WG on specific split option
 - Heated yet divergent discussion/study regarding function split in 3GPP
 - Always new split options every meeting recently

Question: Can we make recommendation on "specific" split schemes within a short period of time, considering the timeline, the complexity, the wireless expertise, and even the risk? Don't forget function split is not the only job

Thinking of functional split forward (Ideas and suggestions)

- Need to differentiate WG from other SDOs
 - Our focus is “transport”
- Need to speed up/keep the timeline
- Suggestion on way forward
 - Not target at recommending specific/concrete split options (that is the job of wireless guys)
 - Rather, grouping of split options from transport perspective
- Clarification:
 - Not discard 3GPP model
 - Analysis (on function split) still needed, but not that detailed as from wireless perspective
 - Whether WG could recommend specific split option is still open

Work plan for this meeting

- ❑ Discussion on incoming/outgoing LS
- ❑ 11 technical contributions (structure, requirements, PoC etc.)

Questions?